

Green Labels: Net name on SCB schematics
 Red Labels: miniBackplane net name

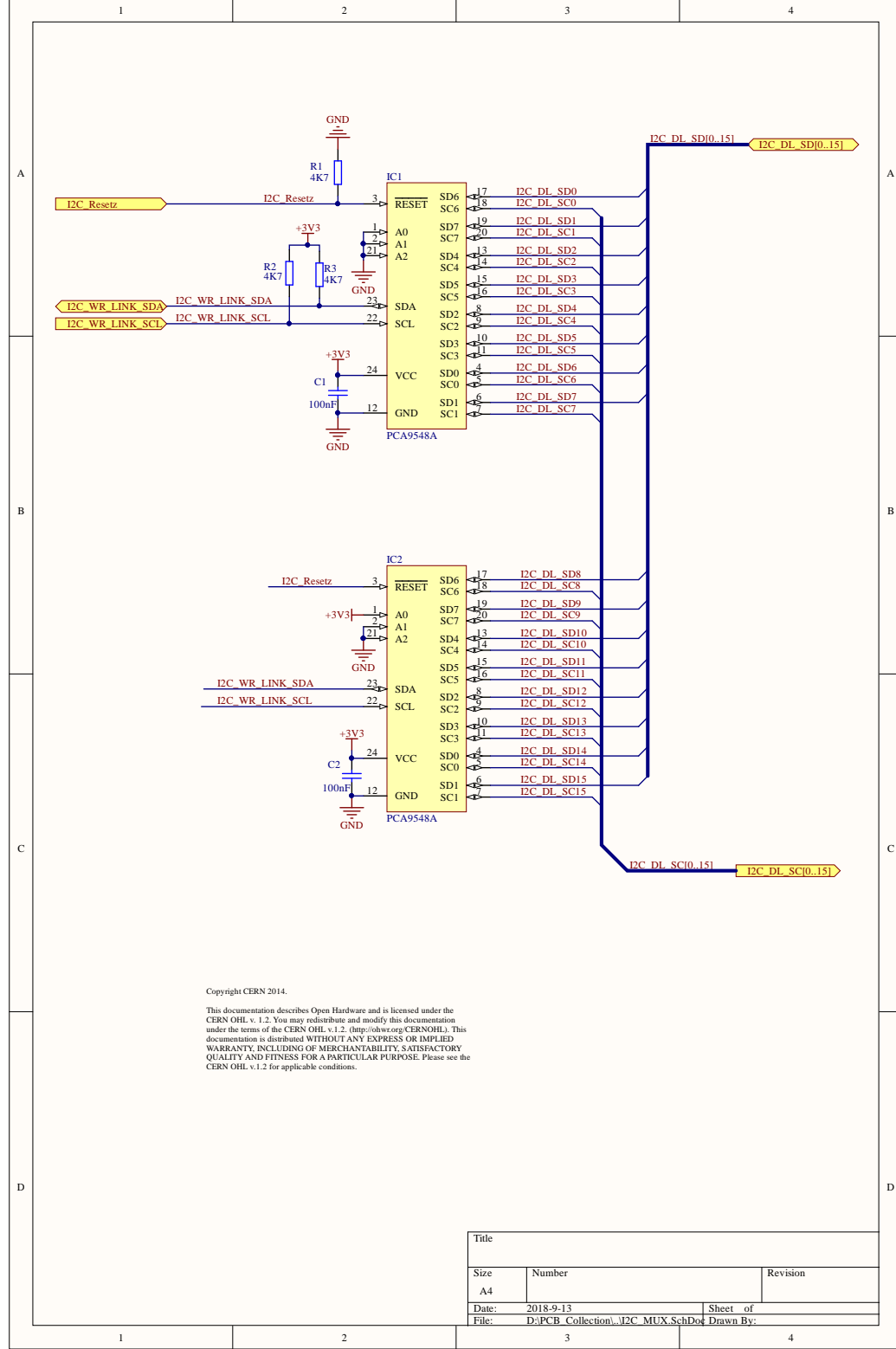
Copyright CERN 2014.
 This documentation describes Open Hardware and is licensed under the CERN OHL v.1.2. You may redistribute and modify this documentation under the terms of the CERN OHL v.1.2. (<http://ohw.org/CERN/OHL>). This documentation is distributed WITHOUT ANY EXPRESS OR IMPLIED WARRANTY, INCLUDING OF MERCHANTABILITY, SATISFACTORY QUALITY AND FITNESS FOR A PARTICULAR PURPOSE. Please see the CERN OHL v.1.2 for applicable conditions.

Level: 3.3 V LVCMOS
 ARM 3V3 GPIO PB(0..7)

Level: 2.5 V LVCMOS
 ARM 2V5 GPIO PD(10..13)

Level: 2.5 V LVCMOS
 ARM 2V5 GPIO PE(0..15)

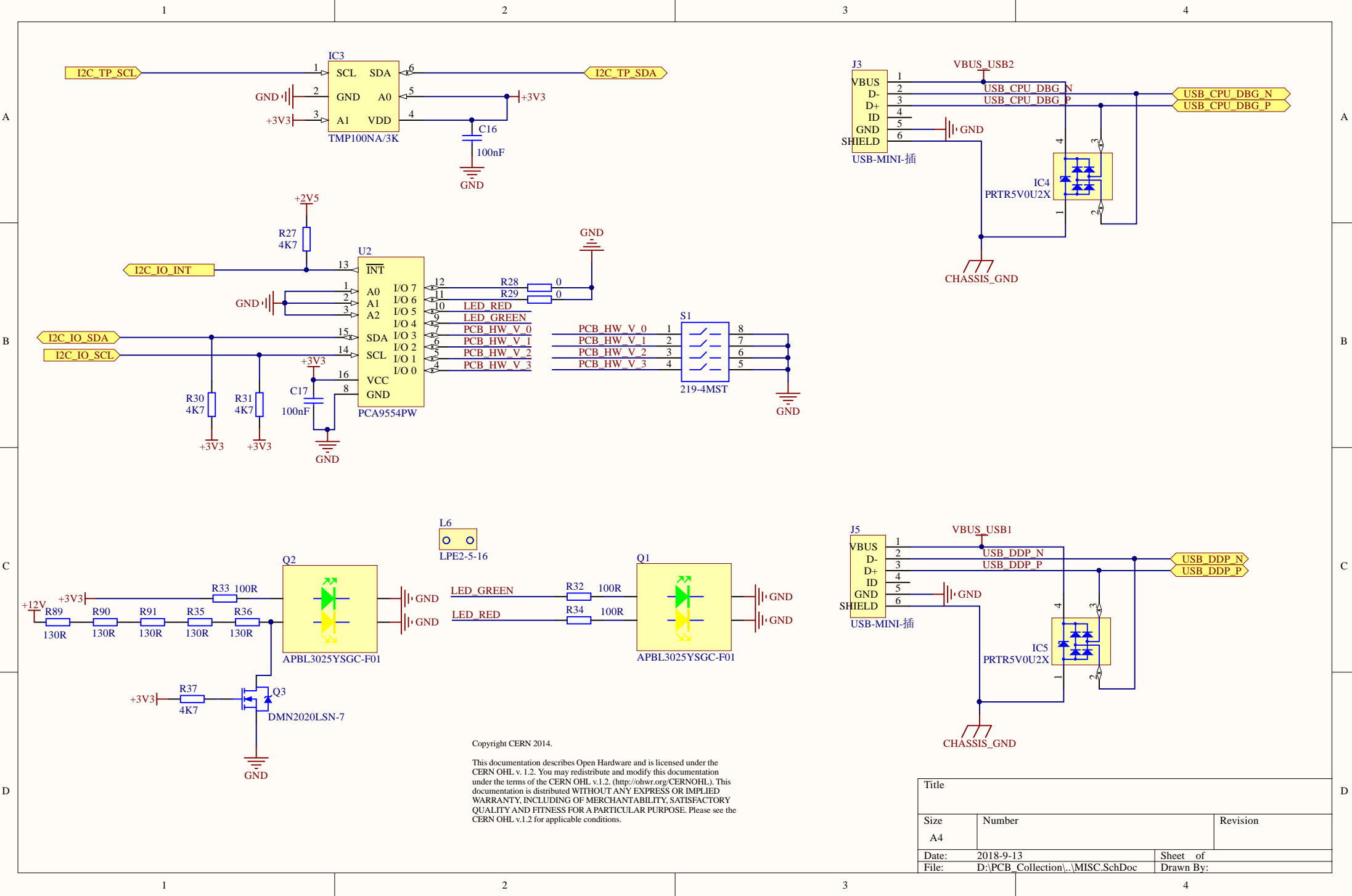
| Title | | |
|-------|---------------------------------|-----------|
| Size | Number | Revision |
| A3 | | |
| Date: | 2018-9-13 | Sheet of |
| File: | D:\PCB_Collection\CONNECTOR.Sch | Drawn By: |



Copyright CERN 2014.

This documentation describes Open Hardware and is licensed under the CERN OHL v. 1.2. You may redistribute and modify this documentation under the terms of the CERN OHL v. 1.2. (<http://ohw.org/CERN/OHL>). This documentation is distributed WITHOUT ANY EXPRESS OR IMPLIED WARRANTY, INCLUDING OF MERCHANTABILITY, SATISFACTORY QUALITY AND FITNESS FOR A PARTICULAR PURPOSE. Please see the CERN OHL v.1.2 for applicable conditions.

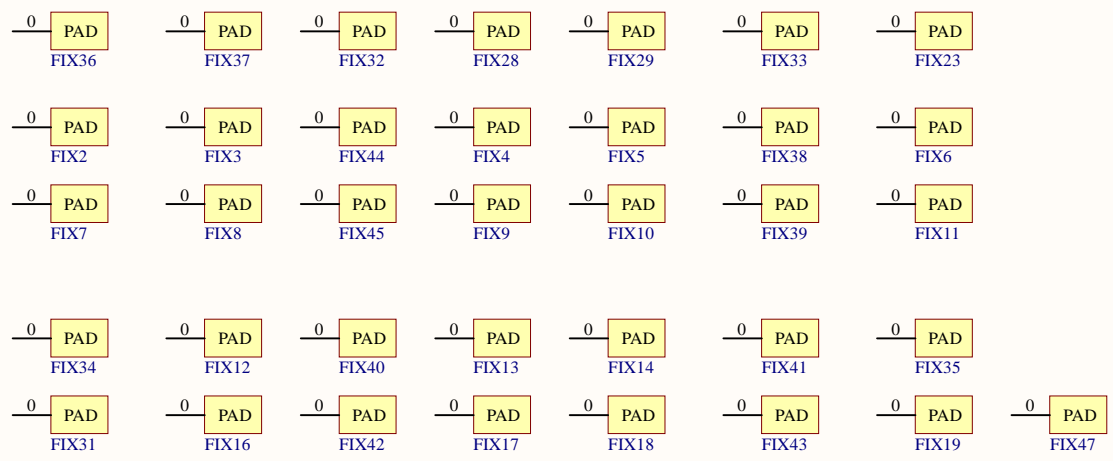
| | | |
|-------|----------------------------------|-----------|
| Title | | |
| Size | Number | Revision |
| A4 | | |
| Date: | 2018-9-13 | Sheet of |
| File: | D:\PCB_Collection\I2C_MUX.SchDoc | Drawn By: |



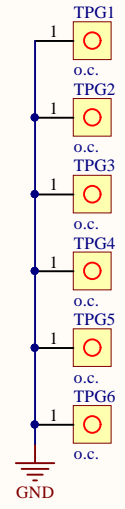
Copyright CERN 2014.

This documentation describes Open Hardware and is licensed under the CERN OHL v. 1.2. You may redistribute and modify this documentation under the terms of the CERN OHL v.1.2. (<http://ohwr.org/CERNOHL>). This documentation is distributed WITHOUT ANY EXPRESS OR IMPLIED WARRANTY, INCLUDING OF MERCHANTABILITY, SATISFACTORY QUALITY AND FITNESS FOR A PARTICULAR PURPOSE. Please see the CERN OHL v.1.2 for applicable conditions.

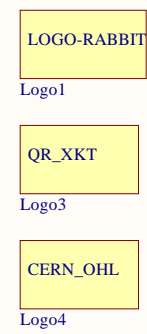
| Title | | |
|-------|-----------------------------------|-----------|
| Size | Number | Revision |
| A4 | | |
| Date: | 2018-9-13 | Sheet of |
| File: | D:\PCB_Collection\...\MISC.SchDoc | Drawn By: |



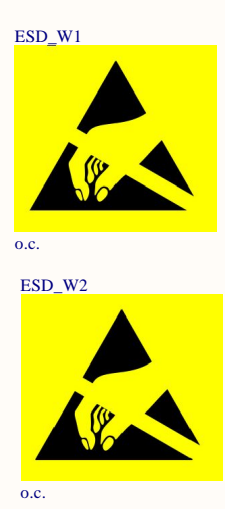
FFIX holes



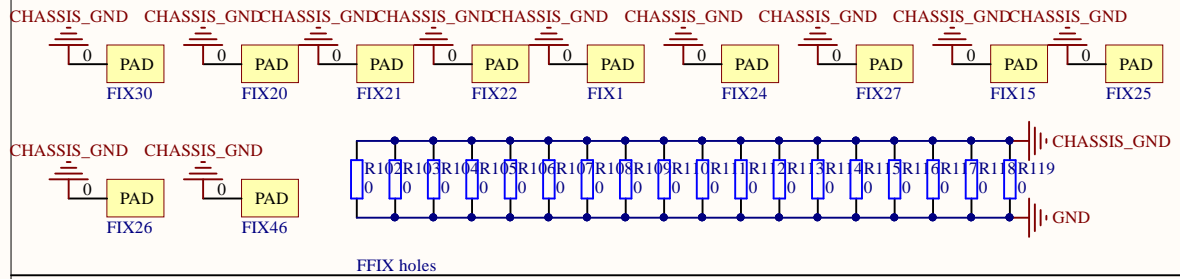
GND test point



Logo



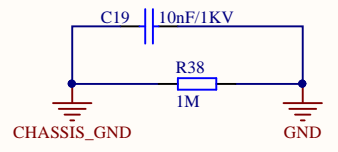
ESD warning drawing



FFIX holes



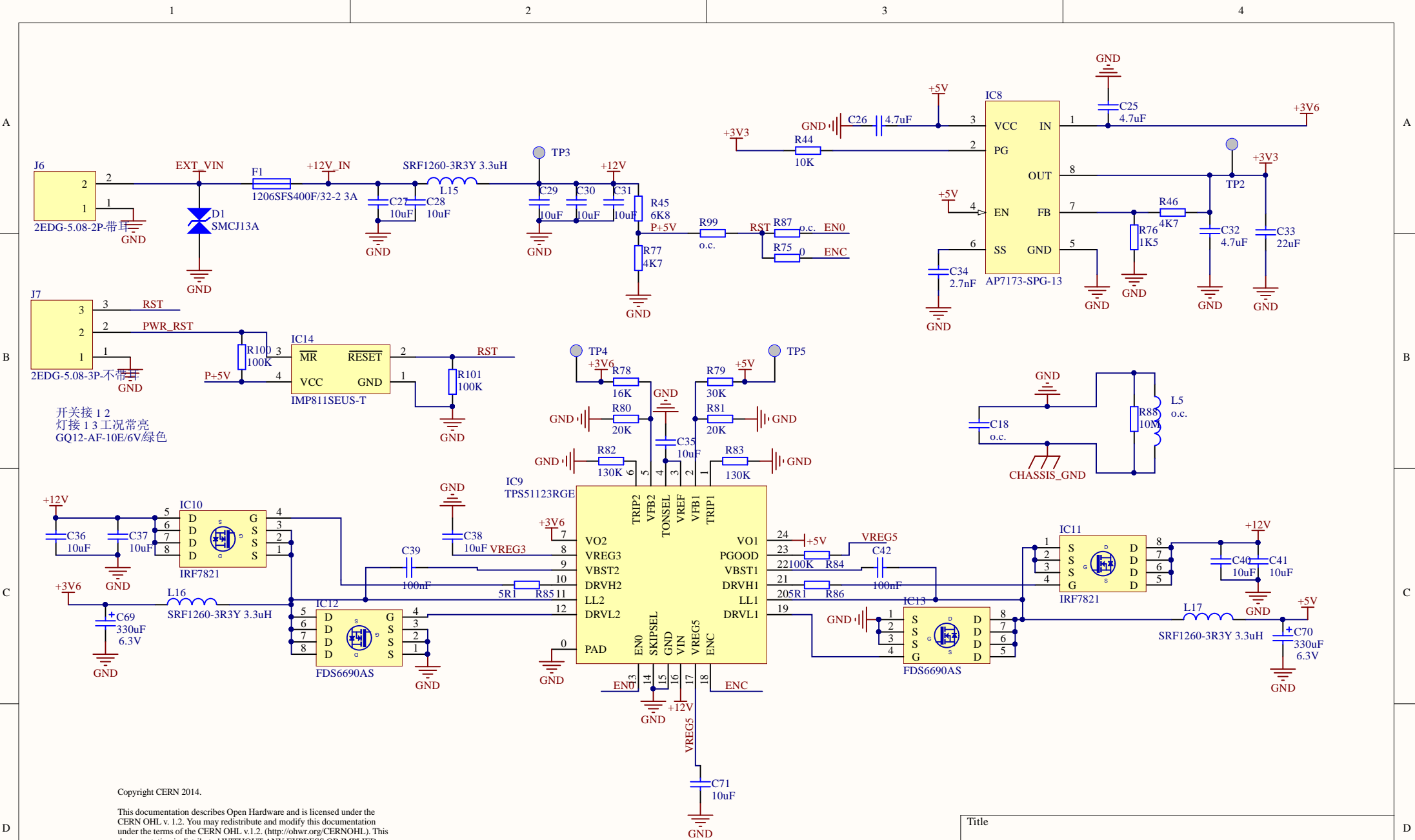
Scare Fiducial Target,



Copyright CERN 2014.

This documentation describes Open Hardware and is licensed under the CERN OHL v. 1.2. You may redistribute and modify this documentation under the terms of the CERN OHL v.1.2. (<http://ohwr.org/CERNOHL>). This documentation is distributed WITHOUT ANY EXPRESS OR IMPLIED WARRANTY, INCLUDING OF MERCHANTABILITY, SATISFACTORY QUALITY AND FITNESS FOR A PARTICULAR PURPOSE. Please see the CERN OHL v.1.2 for applicable conditions.

| | | |
|-------|--|----------|
| Title | | |
| Size | Number | Revision |
| A4 | | |
| Date: | 2018-9-13 | Sheet of |
| File: | D:\PCB_Collection\...\NPTH_MARK_LODASubDoc | |



Copyright CERN 2014.

This documentation describes Open Hardware and is licensed under the CERN OHL v. 1.2. You may redistribute and modify this documentation under the terms of the CERN OHL v.1.2. (<http://ohwr.org/CERNOHL>). This documentation is distributed WITHOUT ANY EXPRESS OR IMPLIED WARRANTY, INCLUDING OF MERCHANTABILITY, SATISFACTORY QUALITY AND FITNESS FOR A PARTICULAR PURPOSE. Please see the CERN OHL v.1.2 for applicable conditions.

| | | |
|-------|------------------------------------|-----------|
| Title | | |
| Size | Number | Revision |
| A4 | | |
| Date: | 2018-9-13 | Sheet of |
| File: | D:\PCB_Collection\...\POWER.SchDoc | Drawn By: |

Copyright CERN 2014.

This documentation describes Open Hardware and is licensed under the CERN OHL v. 1.2. You may redistribute and modify this documentation under the terms of the CERN OHL v.1.2. (http://ohw.org/CERNOHL). This documentation is distributed WITHOUT ANY EXPRESS OR IMPLIED WARRANTY, INCLUDING OF MERCHANTABILITY, SATISFACTORY QUALITY AND FITNESS FOR A PARTICULAR PURPOSE. Please see the CERN OHL v.1.2 for applicable conditions.

A

B

C

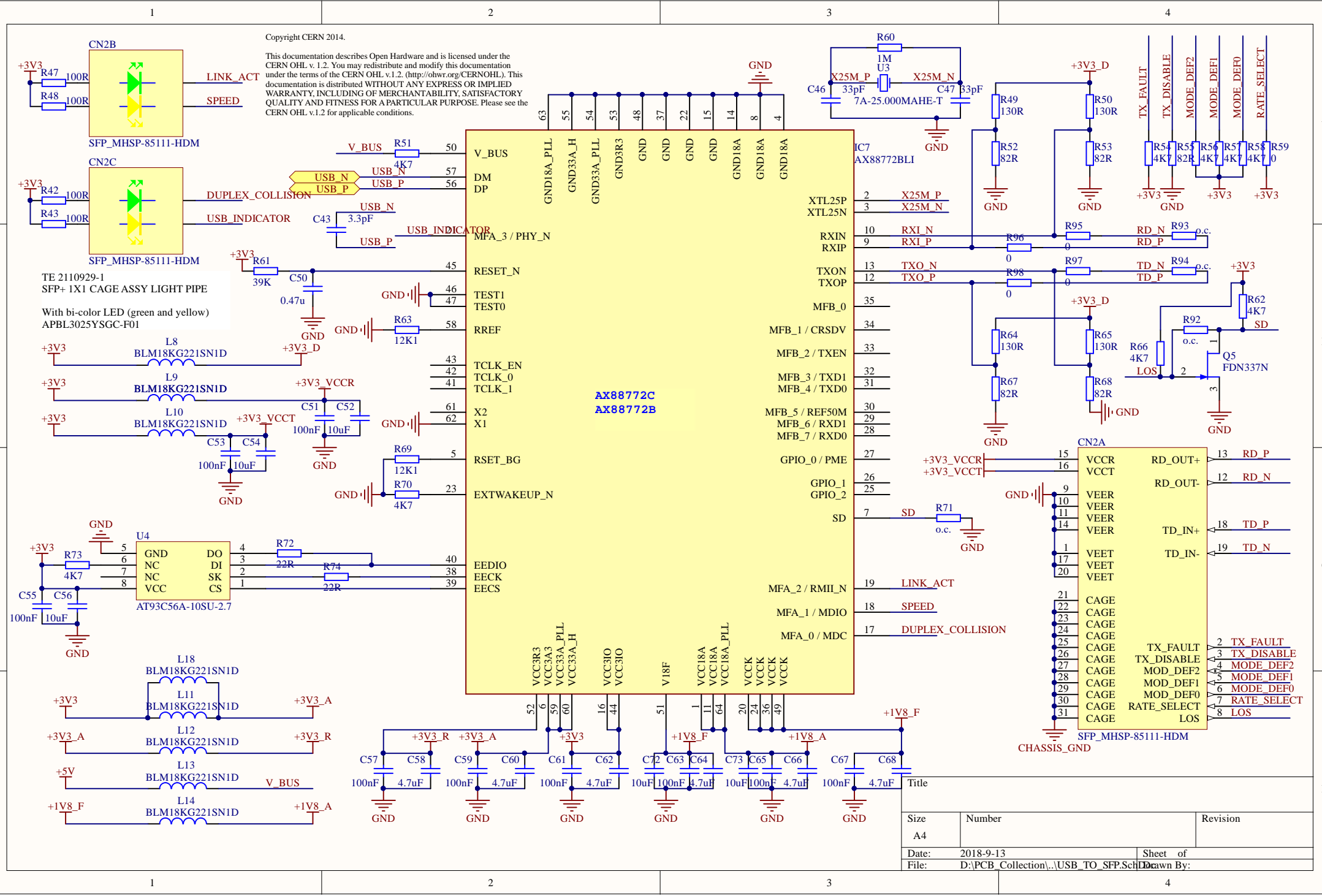
D

A

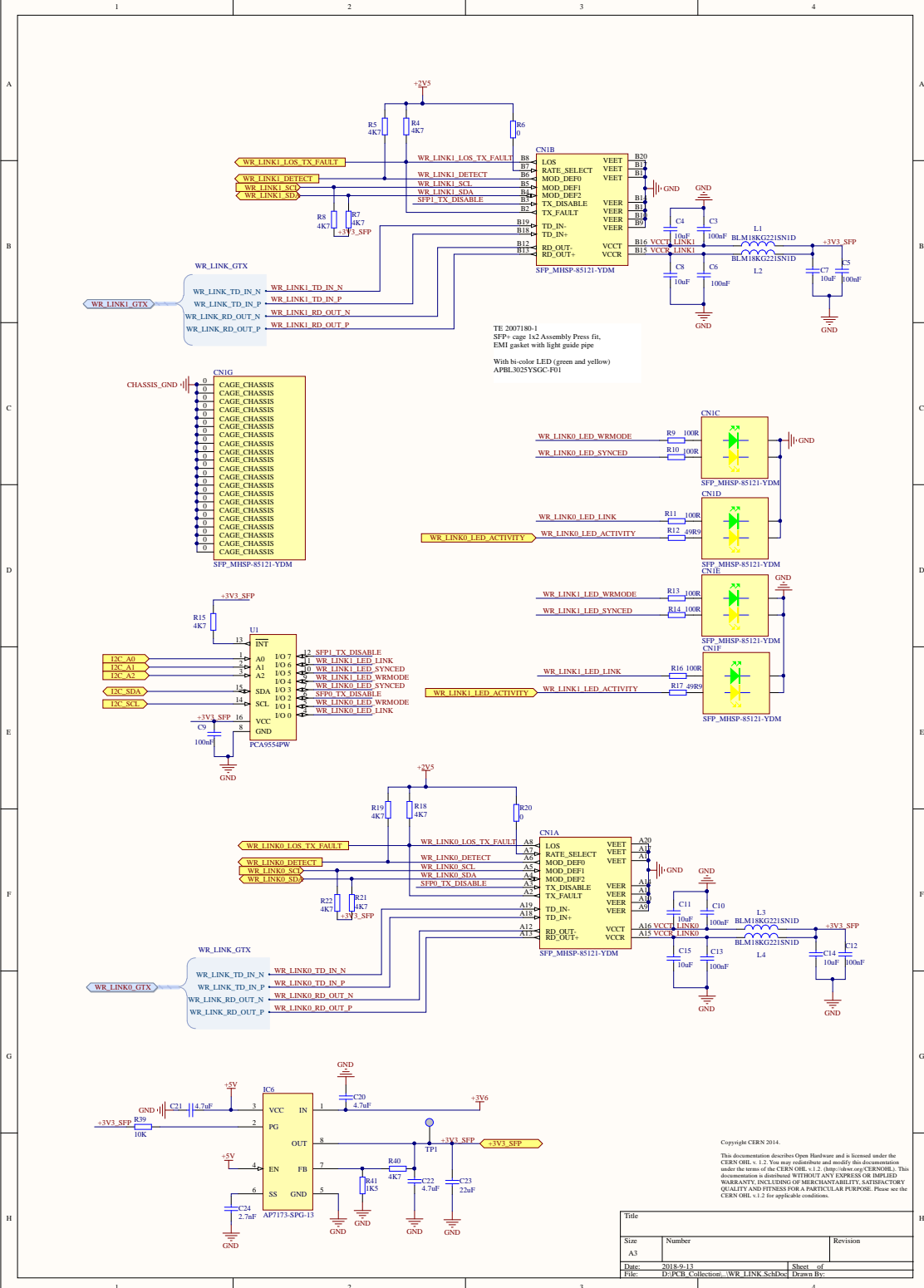
B

C

D



| Size | Number | Revision |
|-------|---|-----------|
| A4 | | |
| Date: | 2018-9-13 | Sheet of |
| File: | D:\PCB_Collection\...\USB_TO_SFP.SchDoc | Drawn By: |



TE 2007180-1
 SFP+ cage 1x2 Assembly Press fit,
 EMI gasket with light guide pipe
 With bi-color LED (green and yellow)
 APBL3025YSGC-F01

Copyright CERNO 2014.
 This documentation describes Open Hardware and is licensed under the CERNOH v.1.2. You may redistribute and modify this documentation under the terms of the CERNOH v.1.2. (<http://ohw.org/CERNOH/>). This documentation is distributed WITHOUT ANY EXPRESS OR IMPLIED WARRANTY, INCLUDING OF MERCHANTABILITY, SATISFACTORY QUALITY AND FITNESS FOR A PARTICULAR PURPOSE. Please see the CERNOH v.1.2 for applicable conditions.

| Title | | |
|-------|----------------------------------|-----------|
| Size | Number | Revision |
| A3 | | |
| Date: | 2018.9.13 | Sheet of |
| File: | D:\PCB_Collection\WR_LINK_SchBod | Drawn By: |