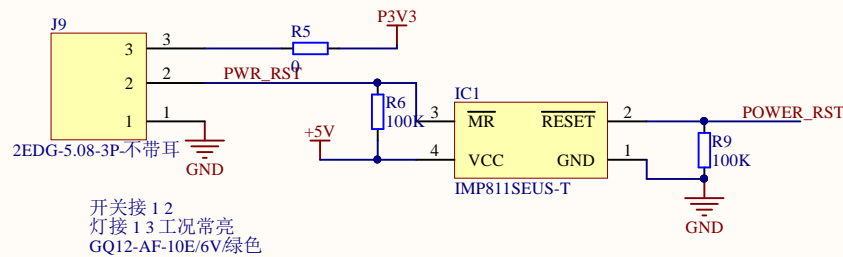
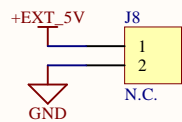
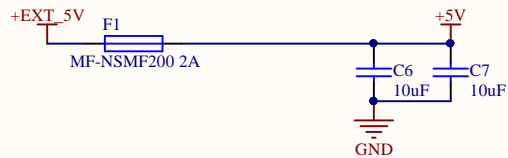
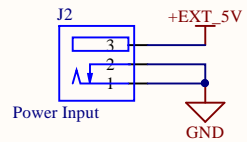


Title		
Size	Number	Revision
A3		
Date:	2020/9/17	Sheet of
File:	D:\WorkDir\...FMC_CON.SchDoc	Drawn By:

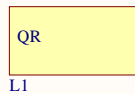


开关接 1 2
灯接 1 3 工况常亮
GQ12-AF-10E/6V绿色

ESD_W1



o.c.



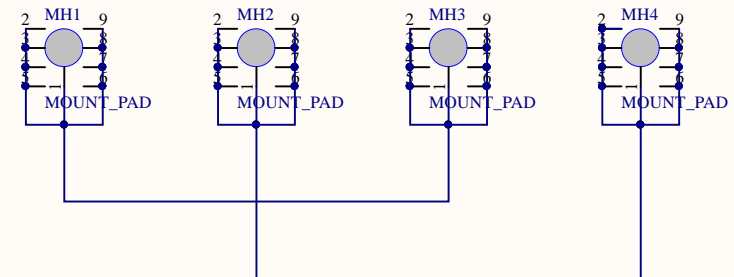
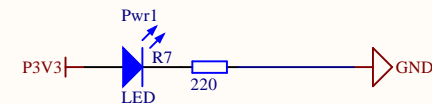
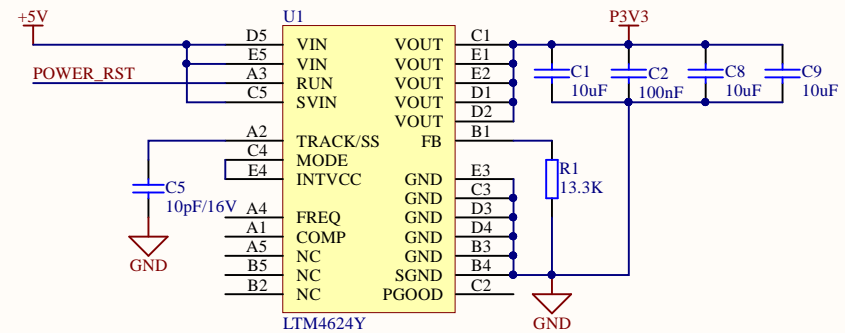
L1



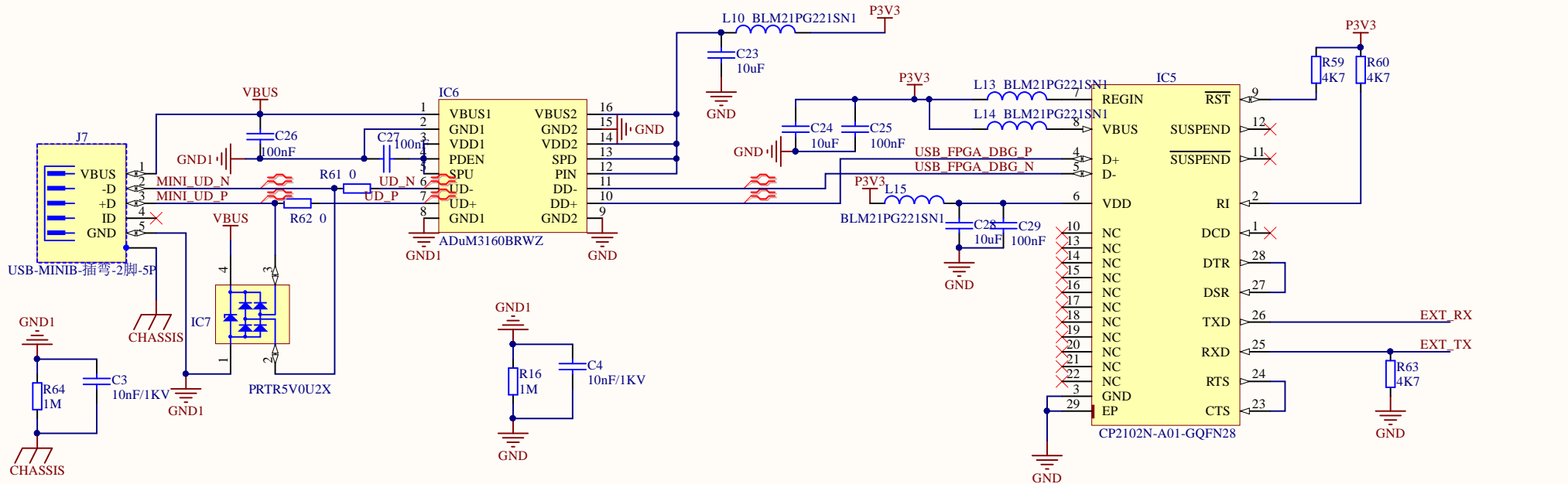
Logo-WR



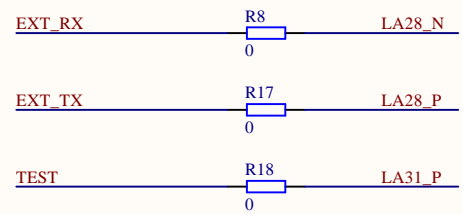
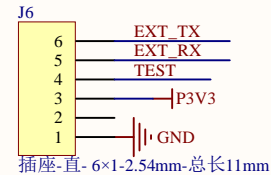
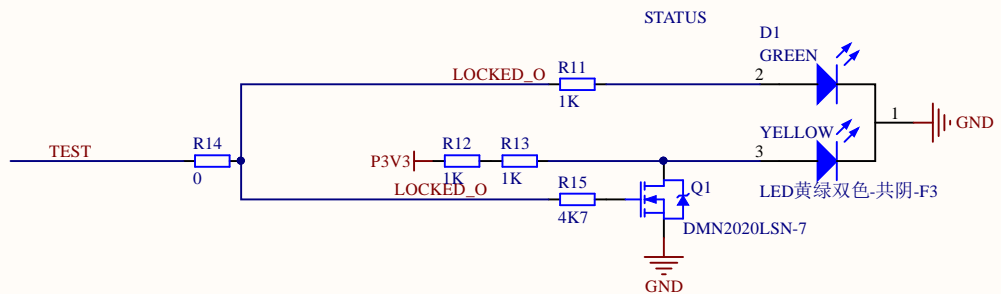
Logo-Synctechonology



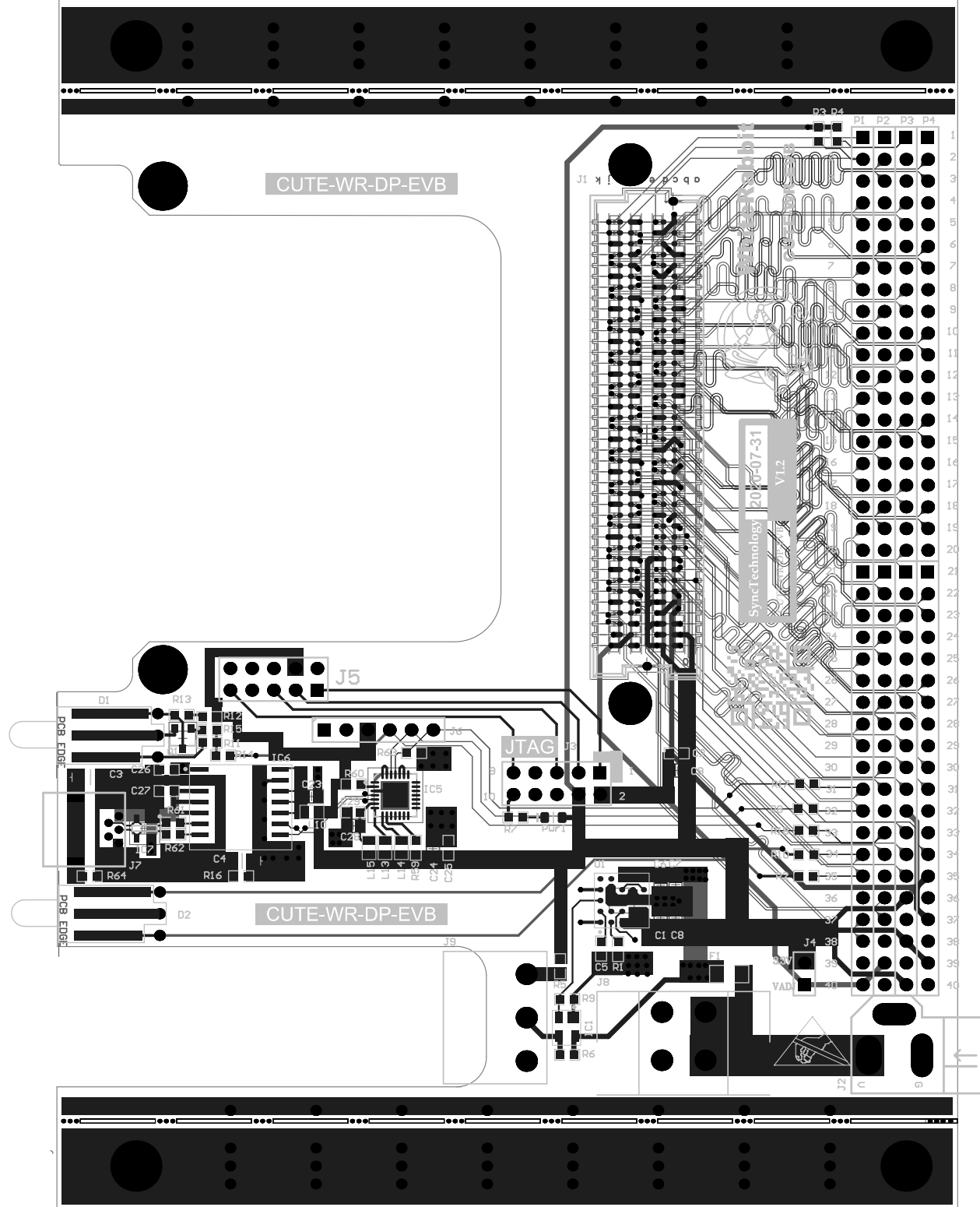
Title		
Size A4	Number	Revision
Date: 2020/9/17	Sheet of	
File: D:\WorkDir\...\POWER.SchDoc	Drawn By:	



CP2102N work in SELF-power mode.



Title		
Size	Number	Revision
A4		
Date:	2020/9/17	Sheet of
File:	D:\WorkDir\...\Uart_Usb.SchDoc	Drawn By:



Comment	Description	Designator	Footprint	LibRef	Quantity
10uF	Capacitor	C1, C6, C7, C8, C	C0805	CAP_1	8
100nF	Capacitor	C2, C25, C26, C	C-0603	CAP	5
10nF/1KV		C3, C4	C1206Z	CAP	2
10pF/16V	Capacitor	C5	C-0603	CAP	1
LED黄绿双色-共阴-F3		D1, D2	LED黄绿双色-共	LED-GREEN-YE	2
o.c.	ESD	ESD_W1	ESD_WARNING	ESD_WARNING	1
MF-NSMF200 2	MF-NSMF200	F1	F-1206	Fuse	1
IMP811SEUS-T		IC1	SOT-143	IMP811	1
CP2102N-A01-	Single-Chip USB	IC5	QFN50P500X50	CP2102-GM	1
ADuM3160BRW	USB isolator	IC6	SOIC-16	ADuM3160BRW	1
PRTR5V0U2X	Ultra Low Capad	IC7	SOT190P230X1	PRTR5V0U2X	1
ASP-134604-01	ASP-134604-01	J1	SAMTEC ASP-134603-01		1
Power Input		J2	POWERJACK_D	DC POWER JAC	1
JTAG		J3, J5	HDR2X5	HEADER 5X2	2
Header 2	Header, 2-Pin	J4	HDR1X2	Header 2	1
插座-直- 6×1-2	Header, 6-Pin, d	J6	HDR6×1	Header 6X1	1
USB-MINIB-插	5 Pin + 1 Shield	J7	USB_MINI_ACE	TYCO_1734035-	1
N.C.	Header, 2-Pin	J8	2EDG-5.08-2P	Header 2	1
2EDG-5.08-3P-不帶耳		J9	2EDG-5.08-3P	2EDG-5.08-3P	1
o.c.		L1	LOGO_QR	LOGO_QR	1
BLM21PG221SN	Inductor	L10, L13, L14, L1	L0805Y	Inductor	4
o.c.		Logo-SyncTech	LOGO_SyncTech	CERN_OHL	1
o.c.		Logo-WR	Logo_WR	LOGO_RABBIT	1
MOUNT_PAD		MH1, MH2, MH	MOUNT_PAD_L	MOUNT_PAD	4
MHDR1X20	Header, 20-Pin	P1, P2, P3, P4, P	HDR1X20	MHDR1X20	8
LED	SMD LED	Pwr1	LED_R_SMT0805	LED3	1
DMN2020LSN-	N-Channel Pow	Q1	SC-59-3	DMN2020LSN-	1
13.3K	SMD Resistor	R1, R4	R-0603	RES	2
220	SMD Resistor, R	R2, R7, R10	R-0603	RES, Resistor	3
10K	SMD Resistor	R3	R-0603	RES	1
0	Resistor, SMD R	R5, R8, R14, R17	R-0603	Resistor, RES	7
100K	Resistor	R6, R9	R-0603	Resistor	2
1K	Resistor	R11, R12, R13	R-0603	Resistor	3
4K7	Resistor	R15, R59, R60, R	R-0603	Resistor	4
1M	Resistor	R16, R64	R-0603	Resistor	2
LTM4624Y		U1	BGA-25	LTM4624	1